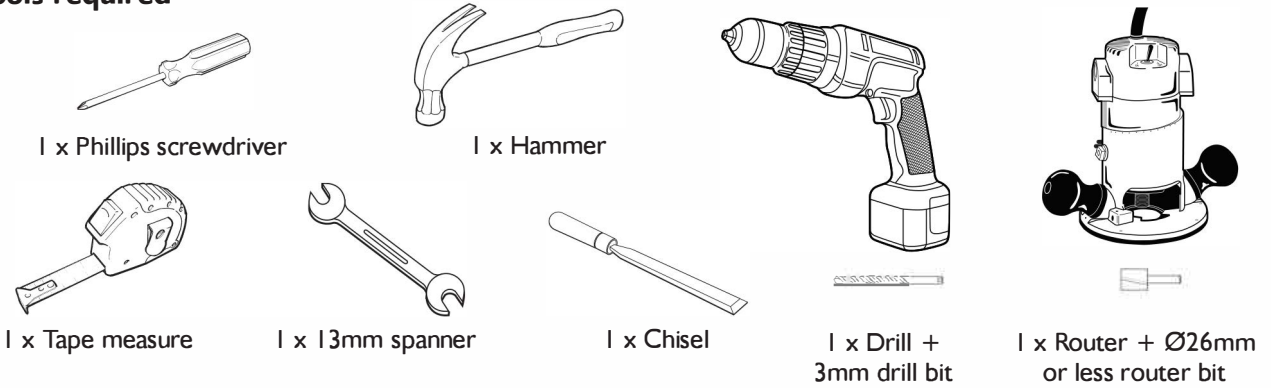


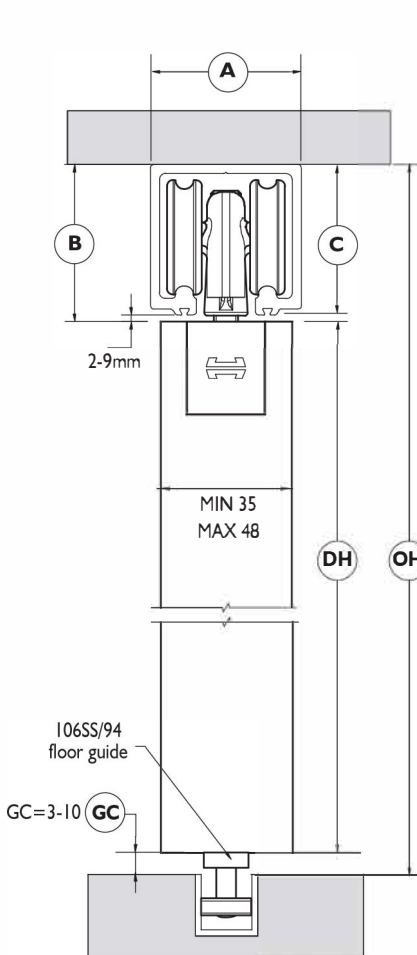
## FITTING INSTRUCTIONS - NOTICE DE POSE - MONTAGE HANDLEIDING - MONTAGEANLEITUNG ISTRUZIONI DI MONTAGGIO - INSTUCCIONES DE MONTAJE

Low Headroom Installation Kit used to reduce the clearance between the track and door to a minimum of 2mm.  
Please note the door thickness must be between 35mm and 48mm.

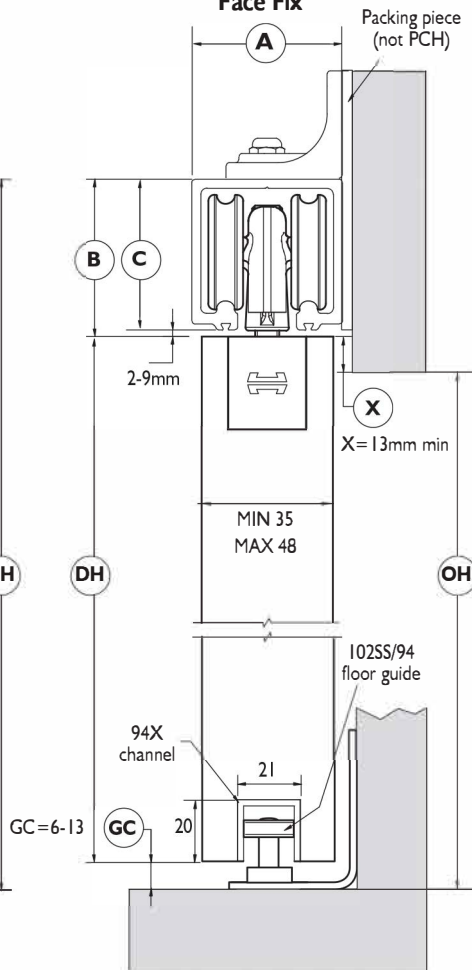
### Tools required



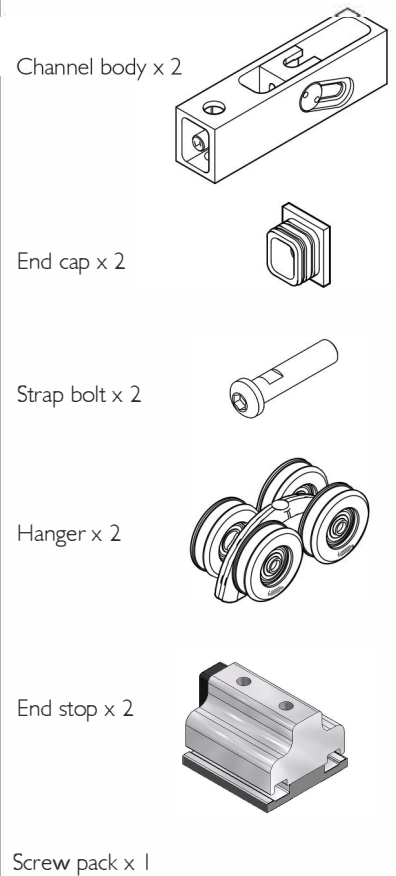
### Soffit Fix



### Face Fix



### Parts included



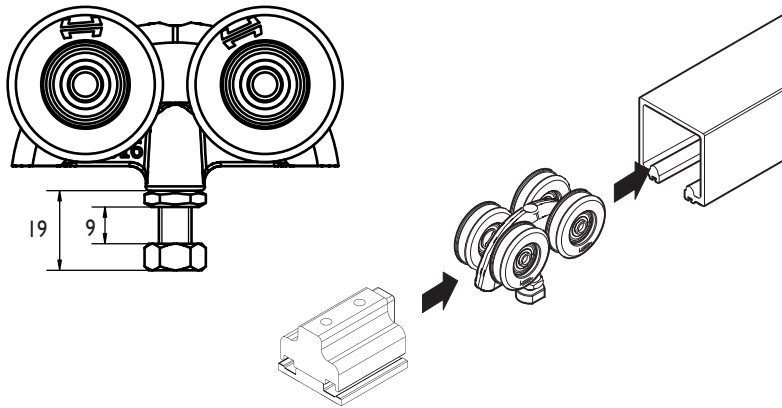
### Sold separately

Track, floor guide and bottom rail

	120kg	180kg	250kg
(A)	41	47	50
(B)	33min - 40max	47min - 54max	52min - 59max
(C)	31	45	50

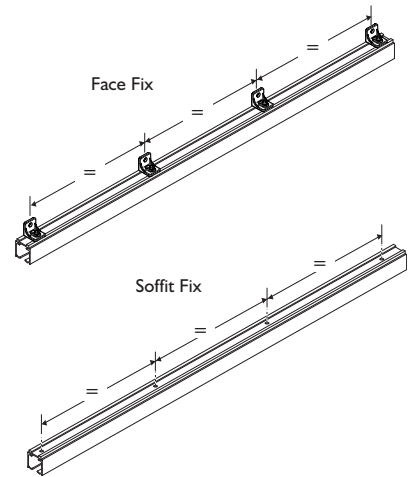
1

Set strap bolt as shown.



2

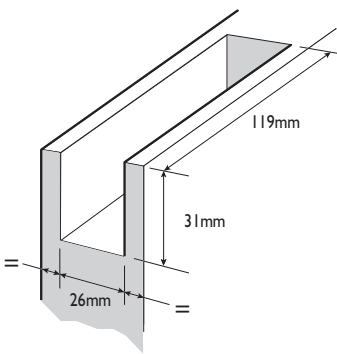
Brackets MAX spacing 900mm.



3

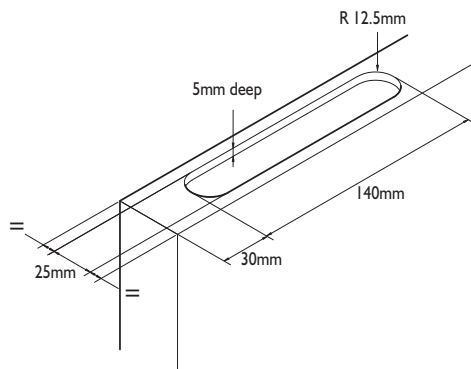
Routing details.

3.1 Channel bodies.



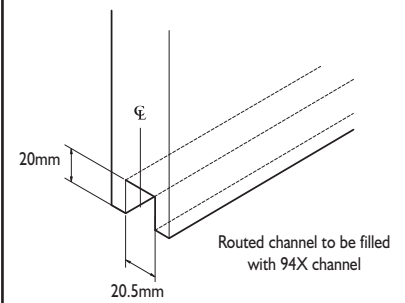
OPTIONAL

3.2 Soffit fix floor guide.



OPTIONAL

3.3 Face fix floor guide.

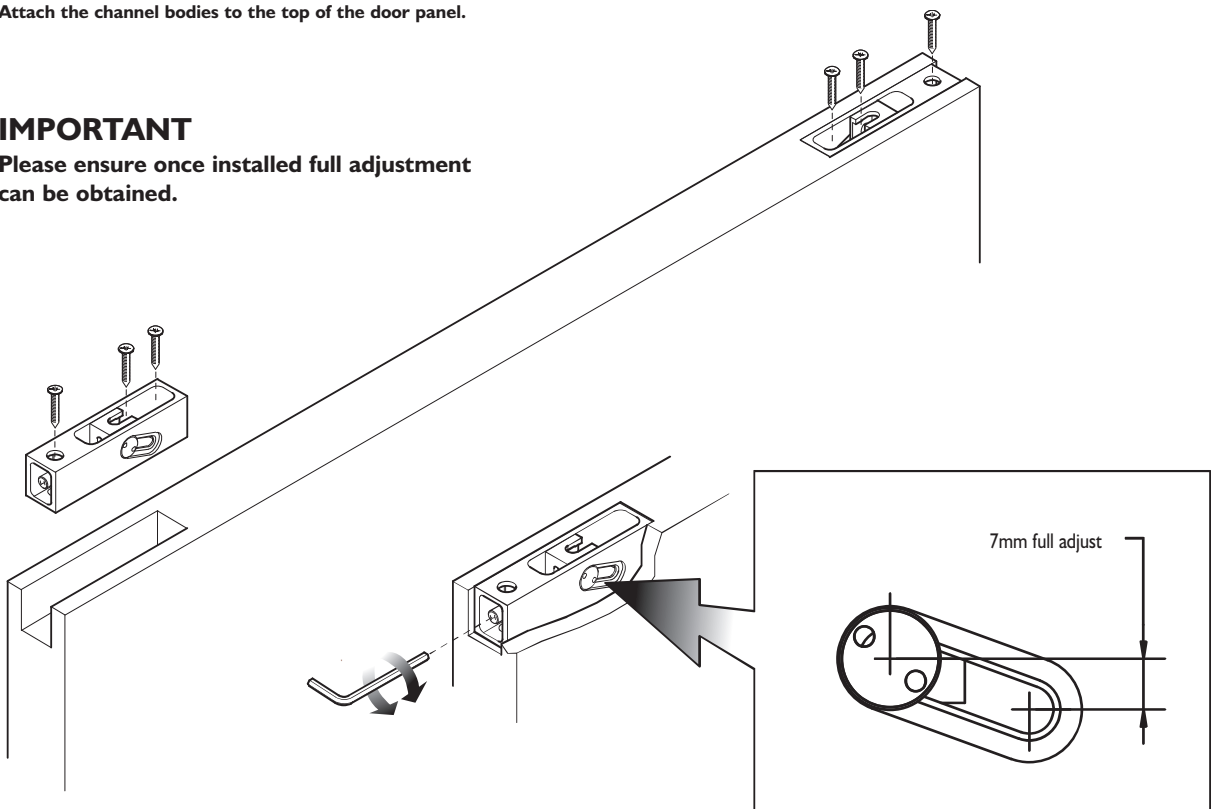


4

Attach the channel bodies to the top of the door panel.

### IMPORTANT

Please ensure once installed full adjustment can be obtained.



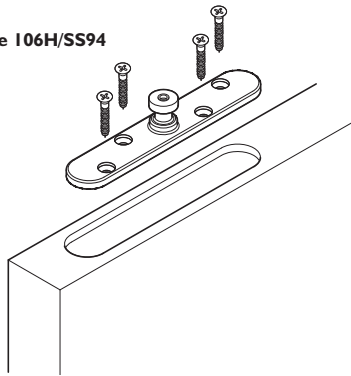
5

Attach the floor guides.

5.1 Soffit fix floor guide.

OPTIONAL

Guide 106H/SS94

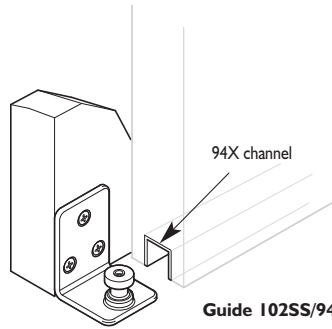


5.2 Face fix floor guide.

OPTIONAL

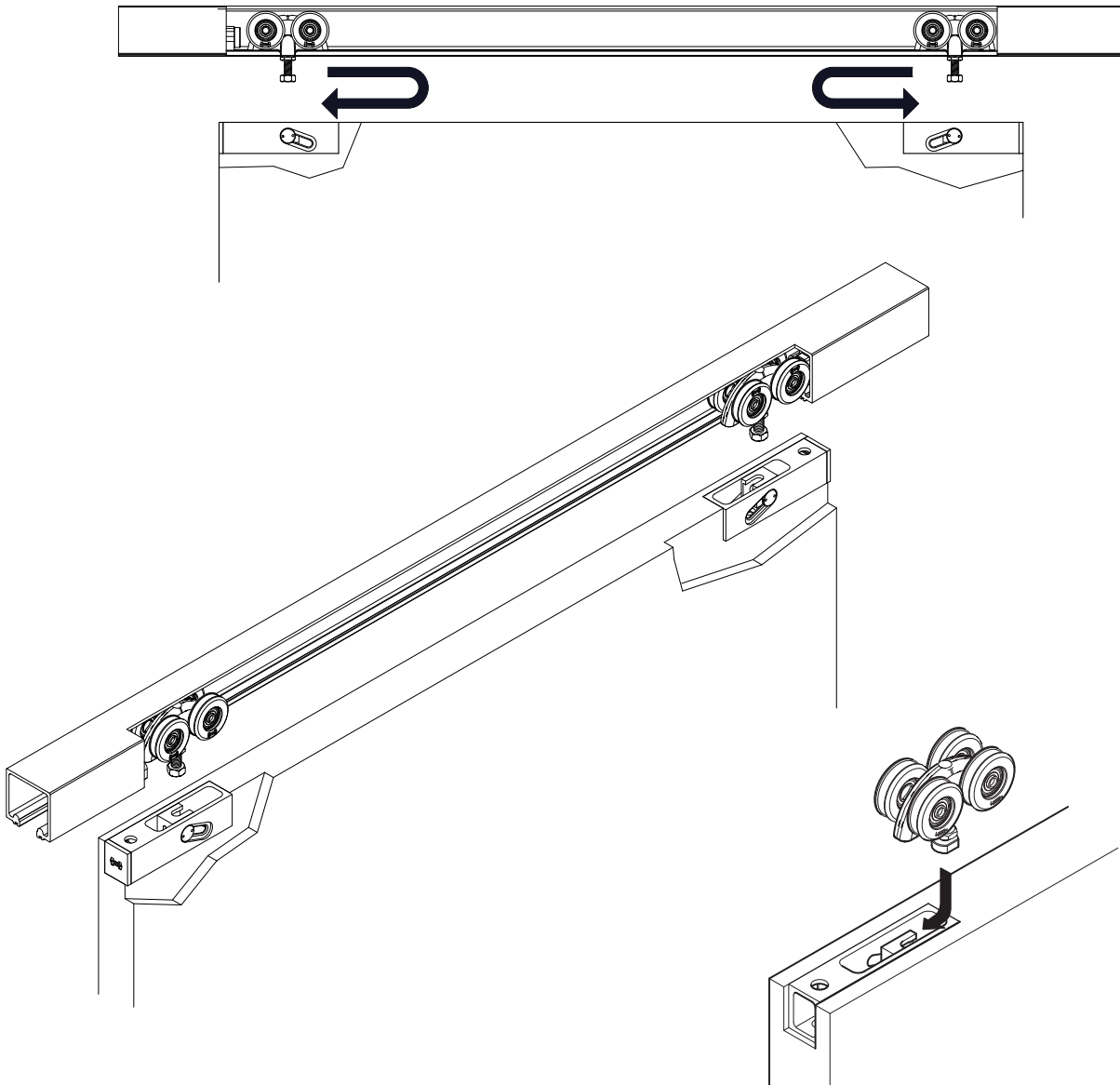
94X channel

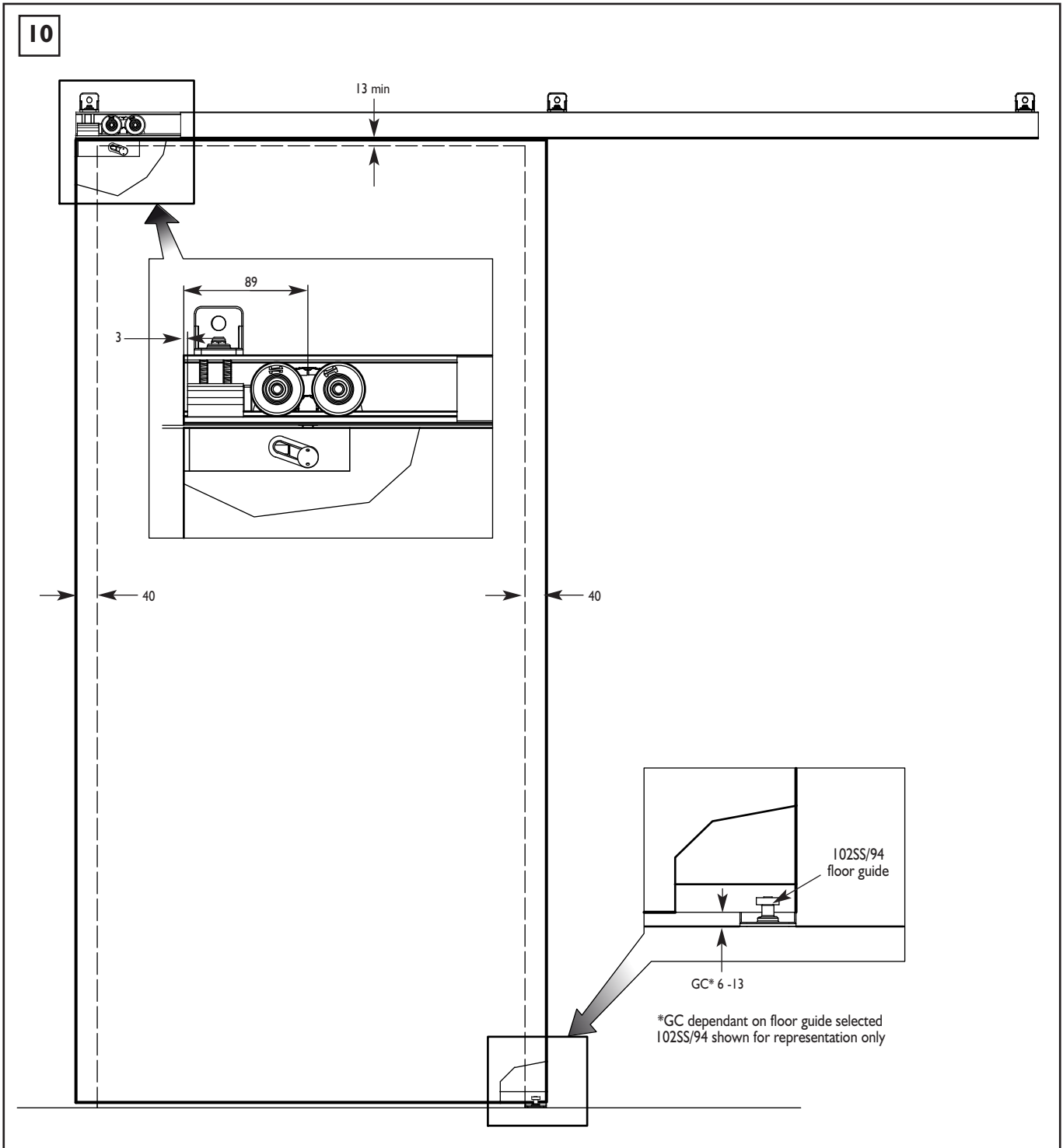
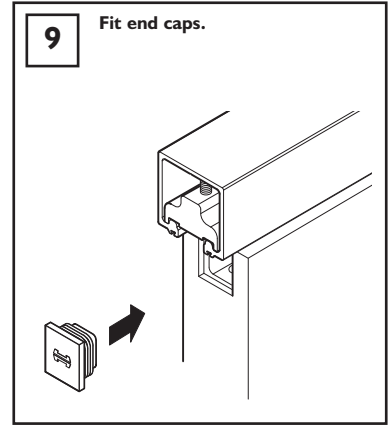
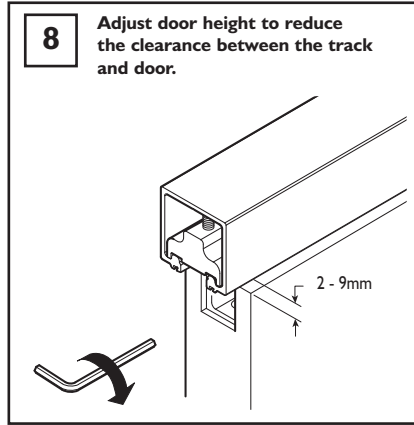
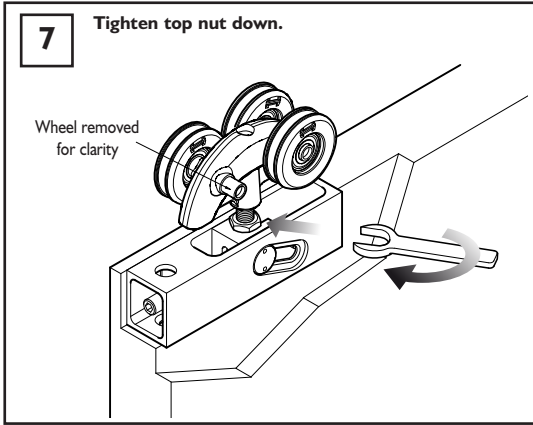
Guide 102SS/94



6

Ensure the slider body is in the highest position, lift the door into place onto the hanger strap bolts and tighten the top nut down.





All dimensions are in mm.